

THANKS FOR YOUR PREFERENCE TO BINOTTO!

Binotto® MOUNTING INSTRUCTIONS AIR BREATHER FILTER

(order code: TAP_0126)

MI_TAP_0126 • Rev. A • 15 DEC 2017 • Pag.1

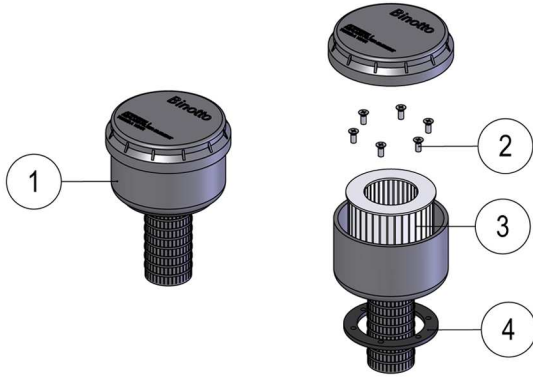


Fig.1

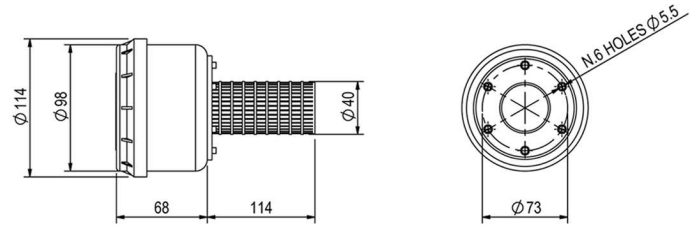


Fig.2

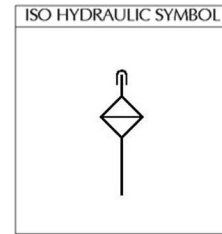


Fig.3

REF	DESCRIPTION ITEM	Q.TY
1	Air breather filter	1
2	M5 countersunk flat head screws	6
3	Filter element	1
4	Flat rubber seal	1

Tab.1

Air displacement [l/min]	1000	
Working temperature [°C]	From -25 to +110	
Filtration [µm]	10	
Weight [Kg]	0,29	

Tab.2

1. MOUNTING OF THE AIR BREATHER FILTER

- 1.1 Remove the cover plate from the Binotto oil tank and remove the n.6 M5 protection plugs;
- 1.2 Mount the flat rubber seal (see ref.4 on Fig.1) on the air breather filter unit;
- 1.3 Place the air breather filter into the tank and mount the n.6 M5 bolts (ref.2 on Fig.1, supplied together the air breather filter);
- 1.4 Torque the bolts with a tightening torque of 6 Nm.