

# Binotto® MOUNTING INSTRUCTIONS TANK RETURN FILTER

(order code: FLT\_100-A25)

ML\_FLT\_100-A25 • Rev. A • 15 DEC 2017 • Pag.1

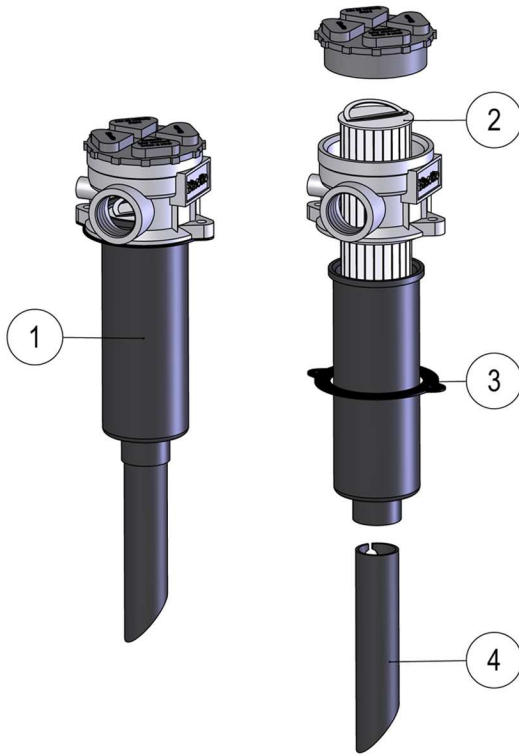


Fig.1

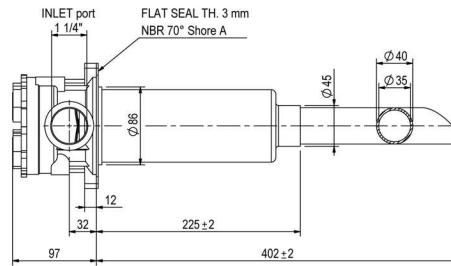


Fig.2

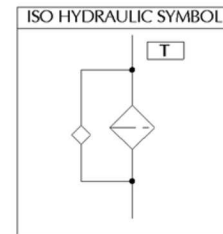
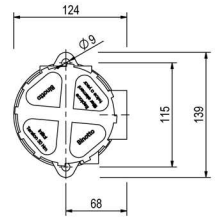


Fig.3

| REF | DESCRIPTION ITEM   | Q.TY |
|-----|--------------------|------|
| 1   | Tank return filter | 1    |
| 2   | Filter element     | 1    |
| 3   | Flat rubber seal   | 1    |
| 4   | Extension pipe     | 1    |
|     |                    |      |
|     |                    |      |
|     |                    |      |
|     |                    |      |

Tab.1

|                          |                   |  |
|--------------------------|-------------------|--|
| Air displacement [l/min] | 200               |  |
| Working pressure [bar]   | 8                 |  |
| Working temperature [°C] | From -25 to +110  |  |
| Filtration [µm]          | 25 absolute (A25) |  |
| IN port                  | 1 1/4" BSP        |  |
| Weight [Kg]              | 1,16              |  |
|                          |                   |  |
|                          |                   |  |
|                          |                   |  |

Tab.2

## 1. MOUNTING OF THE FILTER

- 1.1 Remove the cover plate from the Binotto oil tank and remove the n.2 M8 protection plugs;
- 1.2 Click the extension pipe (see ref.4 of Fig.1) in the bowl of the filter unit;

**!** Note: the extension pipe cannot be removed once it has been fitted in position **!**

- 1.3 Check the height of the bowl + pipe: it should be approximately 50mm less than the height of the tank, so that the extension pipe does not reach the bottom of the tank;
- 1.4 Mount the flat rubber seal (see ref.3 on Fig.1) on the filter unit;
- 1.5 Place the filter into the tank and mount the two M8 bolts (order code KFFLT#003, included in the KMSERB#);
- 1.6 Torque the bolts with a tightening torque of 20 Nm.